

## ENABLING WI-FI DIRECT MULTI-GROUP NETWORKING FOR MULTI-HOP DEVICE-TO-DEVICE NETWORK SUPPORT

**Dr. Yogesh Bhomia, Mr. R K Tiwari, Dr. Surya Kant Yadav**

ECE Dept, CSE Dept, Accurate Institute Of Management & Technology, Greater Noida

**Abstract**— Large-scale ad hoc wireless networks are becoming a reality because to the growing number of mobile devices that implement Device-to-Device (D2D) communication protocols natively. The WiFi Alliance recently developed and standardised WiFi Direct, a revolutionary D2D protocol designed to make it easier for neighbouring devices to connect. On the other hand, WiFi Direct was created using a client-server hierarchical architecture, in which one device controls all of the communications among a collection of devices. In this work, we use Android OS devices to allow the communications between many WiFi Direct groups and we propose and analyse several options. In order to establish multi-hop ad hoc networks, we can connect several groups by outlining the WiFi Direct standard and the shortcomings of the Android WiFi Direct framework as it is currently implemented. Our suggested approaches, with varying costs in terms of energy usage and gateway node delay, are demonstrably practical based on experimental results. Our test findings also show how effective methods are that take use of the device's capacity to keep several groups' physical connections open at once.

### I. INTRODUCTION

The increasing prevalence of mobile devices, including tablets and smartphones, along with their inherent ability to support device-to-device (D2D) communication protocols, has prompted the exploration and creation of novel ad hoc communication strategies. Starting with Android 4.0, for example, Google has included a peer-to-peer WiFi framework [1] to its mobile operating system, and Apple has added a framework that allows D2D mesh networking between iOS devices [2]. A protocol for enabling direct connection between adjacent mobile devices will be added to LTE in 3GPP Release 12, and the idea of expanding the cellular infrastructure through D2D communication has also been advocated [3]. It's not difficult to see a time when cellular service providers use D2D communications to increase cellular coverage.

Researchers are now being prompted to look into how these new D2D communication paradigms affect users' experiences as a result of their widespread adoption. According to a number of studies, employing D2D communication technology can extend the battery life of devices and increase spectral efficiency while also improving resource utilisation for infrastructure-communications protocols like WiFi [4].

The RF Communications Division of Harris Corporation and CEIS, an Empire State Development-designated Centre for Advanced Technology, provided partial funding for this work.

Direct communication between IEEE 802.11 radio devices, including IEEE 802.11 DCF, 802.11s, and 802.11z, has been attempted numerous times over the years. Although each of these protocols has specific uses, their spread is quite restricted. To overcome the inadequacies of IEEE 802.11 DCF, the WiFi Alliance recently announced WiFi Direct [5], a new protocol based on IEEE 802.11. Nowadays, the majority of new mobile devices come pre-installed with WiFi Direct, and the research community is paying close attention to it because of its widespread use and promising capabilities [6]–[8]. WiFi Direct was created with energy-saving features that increase energy efficiency with the goal of improving WiFi-based D2D communications [7]. Devices are grouped together using WiFi Direct, with one device serving as the Group Owner (GO) and the remaining devices as Group Members (GM). Because groups are based on WiFi, they can also support legacy clients, or WiFi-enabled devices that do not support WiFi Direct.

Since infrastructure-based wireless networks are challenging to set up and maintain, multi-hop wireless networks have mostly been developed to satisfy the needs of a range of applications. For the majority of applications, the participating nodes must be able to route data in order to increase network connectivity. The primary uses of these protocols have been in sensor network operations, first responder applications, and tactical military communications.

Since WiFi Direct devices are widely available, multi-group WiFi Direct communications can be used to establish multi-hop ad hoc networks, which is very helpful in situations where the infrastructure for communication is either unavailable, overloaded, or broken. Nevertheless, a WiFi Direct device can function as a member of multiple groups at the same time; the WiFi Direct standard [5] only defines intragroup interactions, with the GO serving as the hub of all communications.

In this paper, we explore different methods for allowing the communication among devices that belong to different WiFi Direct groups. Starting with stock Android and its implementation of WiFi Direct, we shed some light on the limitations and design considerations of realizing multi group communication on mobile devices running Android 4.4.2. To overcome these limitations, we first propose and analyze a TCP-based time sharing mechanism where the device that connects multiple groups, referred to as the gateway node, is required to iteratively switch between different WiFi Direct groups in order to relay data from one group to the other. We then exploit a particular configuration that allows for a device to be simultaneously connected to two different groups, to implement and analyze the performance of a UDP- based broadcast technique as well as a UDP/TCP hybrid solution. In addition, we consider how to implement intergroup communication when not limited to a stock version of Android and present a few changes that can be made to the current WiFi Direct implementation in order to facilitate intergroup communication. Finally, we discuss the tradeoffs in terms of both energy and time when implementing these different approaches. Our approaches can be used as building blocks for realizing a WiFi Direct based Mobile Ad Hoc Network by interconnecting Android devices.

A similar idea has recently been proposed in [9]. The authors in [9] propose a multi-group data dissemination protocol in which Android devices belonging to different groups collaborate with

each other by broadcasting UDP packets, as in our UDP-based solution. However, the protocol presented in [9] is based on a particular logical topology that requires, in addition to the gateway node, the presence in every group of an additional relay node. We will examine the benefits and issues with this approach in Section III-C.

The rest of the paper is organized as follows. Section II provides some background on the WiFi Direct standard. Section III briefly describes the current Android implementation of WiFi Direct, its limitations, and our solutions to realize multi-group networking with Android devices. In Section IV we discuss our experimental results, highlighting the energy consumption and evaluating the delay of the different methods considered. Section V concludes the paper.

## **II. WIFI DIRECT**

### **A. Single-group Communications**

WiFi Direct [5] is a standard released by the WiFi alliance that enables D2D communication between nearby devices, without requiring a wireless Access Point (AP). WiFi Direct utilizes IEEE 802.11 a/b/g/n infrastructure mode, and can transmit either at 2.4 GHz or 5 GHz.

During D2D communication, devices form a group where one of them is the Group Owner (GO) and all the others are considered Group Members (GM). It is important to note that these roles are not predefined but are negotiated during the construction of the group and remain fixed for the entire duration of the group. Additionally, WiFi Direct groups can also include standard IEEE 802.11 nodes that do not support WiFi Direct and are referred to as Legacy Clients (LC).

The nodes that support WiFi Direct go through a group formation process in order to determine the roles of the GO and the GMs. There are three group formation cases: standard, persistent and autonomous [5], [7]. During the standard group formation, the nodes listen on channels 1, 6, and 11 in the

2.4 GHz band and, after finding another device, they negotiate as to which will act as the GO. This is done in a handshake process, where the devices exchange an intent value, and the device with the highest value becomes the GO. After the roles have been established, the devices go through a WiFi Protected Setup (WPS) Provision phase and, after completion, the GO assigns the IP address using the Dynamic Host Configuration Protocol (DHCP). The persistent group formation process allows for a faster reconstruction of previous groups. During the persistent group formation, the GO negotiation phase is replaced by an invitation exchange, and the WPS Provisioning process is significantly reduced by reusing the stored network credentials. In autonomous group formation, a node assigns itself the role of GO and creates its own group.

According to the standard [5], the GO represents an AP-like entity that provides basic service set (BSS) functionality and services for the associated clients. Acting as a soft AP, the GO advertises and allows nodes to join the group. The advertisement and group maintenance are performed through beacon packets, just like a typical IEEE 802.11 AP, and the GO is responsible for giving control of the channel to nodes in its network as well as routing data through clients in its group. As a result, the group topology is a 1 : N hierarchical structure, where multiple clients (i.e., GMs and LCs) are connected to one GO.

WiFi Direct devices can operate concurrently with an infrastructure wireless network, through multiple physical or virtual MAC entities. Moreover, the specification [5] does not preclude a WiFi Direct device from simultaneously operating as a member of more than one group. However, both the multiple MAC functionalities and the simultaneous operations in multiple groups are out of scope of the standard.

**B. Multi-group Communications**

Our focus is to investigate the feasibility and relative performance of different techniques for allowing communication between different WiFi Direct groups. In this regard, in order to act as a gateway between two (or more) WiFi Direct groups, a device can use the MAC virtualization functionality described earlier. Thus, the physical radio interface can be shared by multiple separate MAC entities that independently use the hardware. Following the same principle, a device can act as a gateway between a local D2D network and the Internet, through the simultaneous connection to an infrastructure AP. We note that, when connected to a standard WiFi AP, the device is in fact acting as a LC since it is not leveraging the WiFi Direct protocol.

Given the above, we envision two possible scenarios in which a device can act as a gateway between two separate groups: the first where the gateway node acts as a client in both groups (see Figure 1), and the second scenario in which the gateway is the GO of one group and a client in the other (see Figure 2). Extensions of these scenarios to more than two groups or the case in which the GO hosts more than one group are also possible. However, the case in which the GO hosts more than one group only allows for an increase in the number of clients that the GO can simultaneously serve.

1 Routing data between clients in a group is allowed but not defined by the standard.

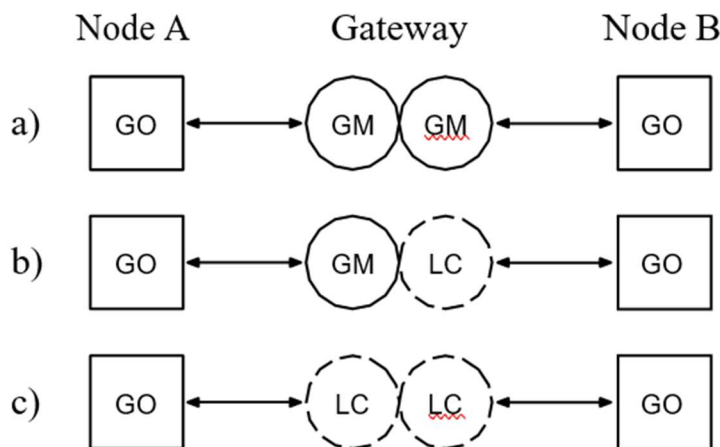


Figure 1. Multi-group communication scenarios where the gateway node acts as a client in two groups.

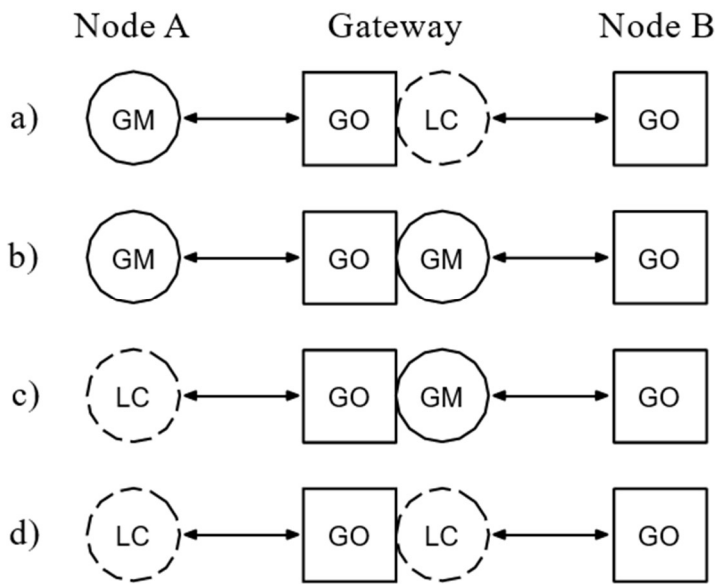


Figure 2. Multi-group communication scenarios where the gateway node acts as the GO in one group and as a client in the other.

### III. MULTI-GROUP NETWORKING ON ANDROID DEVICES

As described in the previous section, a traditional WiFi Direct network topology is represented by a hierarchical structure, where the GO is at the center of all the communications, but multi-group communications are allowed by the standard specification. In principle, it is therefore possible to realize a multi-group wireless network where some of the devices are clients, or simultaneously a GO and a client, of more than one group. However, the MAC virtualization and the simultaneous operations in multiple groups are not required by the standard, and thus their availability depends on the actual implementation.

In what follows, we first provide a high level description of the Android implementation of WiFi Direct, we then present the limitations of using stock Android, and we finally describe our proposed methods for realizing intergroup communications with stock and non-stock Android devices.

#### A. WiFi Direct

Android has included support for WiFi Direct since version 4.0 (API level 14), within the Android's Wi-Fi P2P framework [1]. This framework complies with the WiFi Alliance's WiFi Direct certification program. Using the Android APIs, a developer can discover and connect to other devices that support WiFi Direct and then communicate over a D2D connection. The WifiP2pManager class provides all the methods that allow the interaction with the WiFi hardware, like discover, connect and disconnect to peers. Due to the interaction with the hardware, all these methods are asynchronous and the framework uses listeners to notify the application of the status of a call.

In order to use the WifiP2pManager functionalities, an Android application needs to have access to the hardware and run on a device that supports the WiFi Direct protocol. If both these conditions are satisfied, the WifiP2pManager undergoes an initialization process, where all the WiFi Direct related services are started. This allows the device to react to WiFi Direct events, like client discovery and connection. For establishing a D2D connection, a device needs to discover nearby peers that support WiFi Direct and are available for connection. After a device is discovered, the actual connection can be made. If one of the two devices is already a GO of an existing group, the other joins the group as a GM, while if none of them is a GO or a GM, according to the WiFi Direct protocol described earlier, the devices negotiate their role within the group. Moreover, if a GO sends a connection request to the GM of another group, the connection is refused, and if a device sends a request to a GM, the GM forwards the request to its GO. We note that a device can be a GO of a group without any connected clients.

After the connection, the GO acts as a Dynamic Host Configuration Protocol (DHCP) server and assigns an IP address to the clients. The DHCP scope is fixed by the framework and cannot be modified by the developers. As a result, GOs of different groups always have the same IP address (192.168.49.1), while the connected clients receive an IP address at random from the same range (192.168.49.2-254). The GO advertises its group through a unique Service Set ID (SSID), that can be used by devices that do not support the framework (i.e., LC) to join the group. In Android, standard WiFi operations, like scanning for available networks and the connection to infrastructure APs, are handled by the WiFi framework. Developers can use the WifiManager class to perform WiFi specific functionalities.

For a detailed description of the WiFi and WiFi Direct frameworks and the relative APIs, we refer interested readers to the Android API guides [10].

## **B. Limitations of Stock Android**

Even though Android is an open-source operating system, it provides a certain set of limitations in the way in which the developer can interact with the different services and hardware. We acknowledge that these limitations can be removed by reprogramming the operating system (e.g., rooting the device). However, this operation is non trivial for an average user and its legality is still controversial in several countries. Thus, we first focus on devices that run stock Android so that we can provide a general methodology for allowing WiFi Direct multi- group networking on a broader set of devices.

Using stock Android, intergroup communications need to be handled at the application layer, and all the transport and network layer functionalities, like setting the IP address and managing the routing table, cannot be performed natively. Moreover, the developer is not allowed to create either custom virtual network interfaces nor multiple virtual MAC entities.

As a result, the methods described in Section II-B, where a device simultaneously operates in multiple WiFi Direct groups either as a GO or a GM, cannot be implemented directly.

Nevertheless, our experiments show that the WiFi Direct functionalities are able to concurrently operate with an infras- tructure wireless network<sup>2</sup>, through the simultaneous utiliza- tion of the

WifiP2pManager and WifiManager. In this case, we infer that the OS is in fact virtualizing the network interface (or the MAC). Following the same rationale, we exploited the GO group advertisement process and connected a device participating in a WiFi Direct group to a second group as a LC, using the WifiManager. While this operation was allowed and the connection between the devices was correctly established, we were not able to create a unicast communication to and from the gateway node. In particular, for the scenario b) of Figure 1, the gateway was able to receive data from both Node A and Node B, but was not able to communicate with either one of them; for the scenarios a) and d) of Figure 2, instead, the gateway was able to communicate with Node A, while the communication with Node B was not allowed. According to our experiments, this is due to the fact that the DHCP protocol assigns the same IP address to multiple GOs, thus creating routing problems. A flooding like UDP- based communication protocol can overcome this limitation, as described in Section III-C.

### C. Proposed Solutions

**Time Sharing.** Given the limitations of the current Android implementation of WiFi Direct and the restrictions on implementing routing functionalities at the application layer, we propose a time sharing mechanism in which the gateway node switches between two (or more) groups. In this way, all the scenarios presented in Figures 1 and 2 can be successfully implemented. We note that there is no built in switching functionality, rather switching is comprised of a disconnection from the current group, a request to scan for active nodes, and a request to connect to a new group. In what follows, we describe the main differences between the different scenarios. We start by analyzing the scenarios in Figure 1. In these cases, the gateway node acts as a client in both groups and iteratively connects to and disconnects from the two groups. Scenarios a) and b) are limited to devices that support WiFi Direct: while in case a) the gateway can fully exploit the WiFi Direct protocol, the latter can potentially provide some gains in terms of switching time since it is using both the WifiManager and the WifiP2pManager. A special case is represented by case c), where the gateway is a LC in both groups. This method relies solely on the WifiManager, thus allowing devices that do not support WiFi Direct to take on the onerous role of routing information between different groups. By acting as a LC, the gateway cannot capitalize on the WiFi Direct power saving mechanisms, but it follows the same process required for switching connections between traditional WiFi APs. While methods described in a) and b) have the potential for a faster and seamless bridging of groups, the

2We note that this functionality is not described in the Android APIs [10].

method in c) allows for any device to act as a gateway node, allowing for a more inclusive network. The scenarios in Figure 2, instead, consider the situation in which the gateway node is a client in one group and acts as a GO of the other. In these cases, the switching process potentially requires more time than the methods described in Figure 1 because all of the operations required to create one of the groups need to be performed every time the gateway node ceases to be the GO. The role and responsibilities of being a GO are negotiated during the group formation and cannot be

transferred [5]. Scenarios b) and c) in Figure 2 fully exploit the WiFi Direct protocol, while scenarios a) and d) use both WiFi Direct and the standard WiFi functionalities.

**Simultaneous Connections.** As described in Section III-B, by combining standard WiFi and WiFi Direct functionalities into the gateway node, it is possible for the gateway node to simultaneously maintain a physical/MAC layer connection to two groups. However, this imposes some restrictions on the actual application data exchange. We thus explored the different scenarios presented in Figures 1 and 2 that utilize both WiFi Direct and WiFi, with the objective of finding a suitable configuration and communication protocol that allow for intergroup data exchange.

To this end, we ran several experiments by implementing the different scenarios from Figures 1 and 2 with the different network sockets (e.g. stream, datagram and multicast sockets) provided by Android. We found that when combining a LC/GM (or, equivalently, GM/LC) gateway node with a multicast socket, a specific implementation of the UDP datagram socket, the gateway node is able to forward data between the two groups. This is because the multicast socket allows the node to specify the particular interface to be used by the socket for receiving and transmitting data packets. We note that this functionality is not available for a traditional datagram or stream socket, and Android follows a weak end system model (i.e., routing decision are based only on the destination IP address and type of service) [11]. Moreover, it is important to note that the multicast socket encapsulates a one-to-many unicast communication and, as a result of this, cannot fully utilize the total available WiFi and WiFi Direct bandwidth.

From our experiments, the same gateway configuration allows the gateway node to receive and send data over the LC link (i.e., the standard WiFi) while simultaneously connected to both groups also with a unicast socket, while no data can be routed with a unicast socket over the WiFi Direct link. This is due to the fact that Android prioritizes the WiFi link over the WiFi Direct link. We thus propose a simple protocol, referred to as Hybrid, that exploits this functionality and uses the multicast socket as a control channel that, if necessary, triggers a gateway node configuration change. According to this protocol, the group that has data to send to the other group, uses the control channel to notify the gateway node. After the reception of the control message, the gateway node checks if it is connected to this group as a LC or a GM. In the first case, the gateway is allowed to receive data, thus it notifies the source and it starts receiving data. After receiving the data, the gateway disconnects from the first group and forwards the data to the second group using a TCP connection. In the second case, instead, the gateway node is not allowed to receive data from the WiFi Direct link. Thus, it notifies the source, disconnects from both groups and connects back with the right configuration (i.e., it switches from GM/LC to LC/GM). At this point the communication continues as in the previous case. We note that this change in configuration can be avoided if a second gateway node is present (i.e., one gateway node is a GM/LC while the other gateway node is an LC/GM). A data dissemination protocol that follows a similar approach has recently been proposed in [9]. The protocol presented in [9] operates under the assumption that an additional relay node is present in each group. This protocol uses the configurations a) and d) of Figure 2, and exploits the additional relay node to forward information from the GO to the



gateway node. By doing so, the method presented in [9] mitigates the fact that the gateway node has the same IP address as its GO. However, this does not provide seamless communication between two groups, since a TCP connection defaults to the WiFi interface (i.e., only the LC link can use TCP sockets). As a result, the gateway node transmits data to the other nodes in its group by broadcasting UDP packets. While this protocol does not require any configuration change, it requires the presence of an additional relay node in every group (which cannot always be guaranteed), and adds an additional communication hop.

In order to fully explore the WiFi Direct protocol for multi- group networking, we downloaded the source code of Android

4.4.2 and modified the existing implementation of WiFi Direct to assign a unique IP address to the GOs and change the DHCP range accordingly (the IP address and DHCP range are statically defined inside the WifiP2pService). This simple modification allows the simultaneous operation of a gateway node that uses both the WiFi and WiFi Direct interfaces. Further modifications are required for creating multiple WiFi Direct interfaces. This requires changing the WifiP2pService to instantiate different NetworkInterfaces as well as to change the SystemServer and the Context to instantiate a new WiFi Direct Service and a new identifier for this service, respectively.

#### **IV. PERFORMANCE EVALUATION**

In this section we evaluate the impact at the gateway node of allowing multi-group WiFi Direct communications. In this regard, we measured both the time and the energy required to forward data between two groups. Our proposed schemes were implemented using three second generation Asus Nexus 7s, which were released in 2013. The 2013 Nexus 7 has 16 GB of storage, 2 GB of memory, and a 1.5GHz quad-core Snapdragon S4 Pro 8064 CPU [12]. Each of our devices are running Google's Android version 4.4.2.

##### **A. Test Environment**

Similar to the work in [13], we measured the current from the battery for each of our experiments using an Arduino Uno [14]. To this end, we added a  $0.005\Omega \pm 1\%$  shunt resistor in series with the battery and measured the voltage across the resistor to obtain the current. However, the voltage drop across this resistor was too small to be read by the Arduino Uno [14]. We therefore configured an op-amp to act as a non-inverting amplifier with a gain of 977. This allowed the Arduino's analog input to read the voltage across the resistor throughout the tests. Additionally, due to the non-linear properties of lithium-ion batteries [15] [16], like the one used in the Nexus 7, we restricted our experimental measurements to battery level above 70%. [16] has shown that for battery levels between 60% and 100%, the internal impedance of lithium-ion batteries scales almost linearly with regard to the state of charge.

All of the measurements were taken in an indoor workspace, and the nodes were stationary during these experiments. We acknowledge that in real life, nodes are generally mobile, and may enter or leave a network. However, to accurately determine the impact of the switching process on the

gateway node and to limit the variability across different experiments, we kept the nodes stationary. Moreover, all the results of this section have been obtained with the screen turned off. For all the scenarios presented in Figures 1 and 2, we consider a situation in which the gateway must relay 10 MB of data between Node A and Node B. Thus, the gateway first receives all the data from one node, and then sends the data to the other node following one of the techniques described in Section III-C. For the Time Sharing experiments, we measured the energy and time required for the switching process, from the disconnection from the first group to the actual availability of the second link. We assumed that the gateway is able to communicate with the second node as soon as the operating system updates the ARP table with its address. For the Simultaneous Connections solutions, instead, we measured the total time and energy consumption required to relay the data between node A and Node B, since there is no actual switching between groups. Moreover, all the groups are considered to be persistent to allow for a faster switching between the two groups, that we assume to be known by the gateway. This accounts for the situation in which the gateway node switches between the groups multiple times<sup>3</sup>. All the results presented in this section are obtained over

50 runs of the same experiment, where the gateway node forwards the data between Node A and Node B. However, we also performed some continuous tests where the gateway node exchanges data back and forth between the two groups and found consistent results (i.e., the total time and energy consumption of the continuous tests were simply the sum of the time and energy for the isolated tests).

### **B. Numerical Results - Time Sharing**

To measure the amount of energy and time required to switch between the two groups, we performed isolated tests to determine the impact that the switching process has on a particular node. We first established some baseline measurements for the transmission and reception energy consumptions. Using the experimental setup described above and Iperf [17],

<sup>3</sup>We acknowledge that, when creating the groups for the first time, the energy and time required are on average higher.

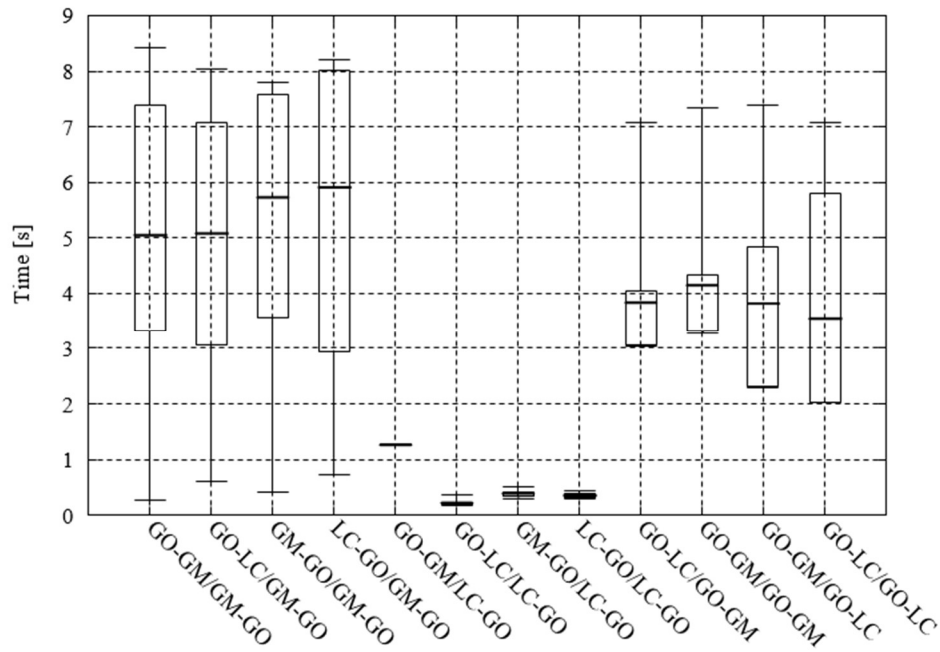


Figure 3. Experimental Measurements. Time required to switch between two groups for the different scenarios described in Section II-B.

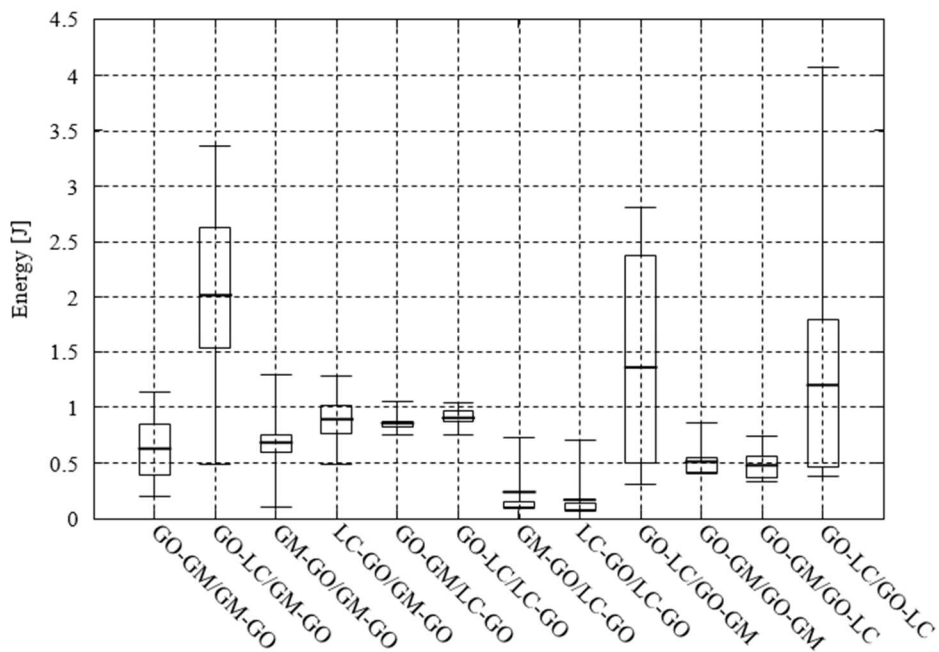


Figure 4. Experimental Measurements. Energy required to switch between two groups for the different scenarios described in Section II-B.

we measured the average energy required to send (and receive) 10 MB of data between devices, when acting as a GO, a GM or a LC. We then logged the total energy required at the gateway node to receive the 10 MB data, switch and transmit the data to the other group. Finally, we subtracted the reception and transmission energy from the total energy to determine the energy required for switching between the groups.

In Figures 3 and 4, we plot the time and energy, respectively, required to switch between the two groups, for all the scenarios described in Section II-B. Figure 3 shows that the switching time depends only on the method used by the gateway node for connecting to the second group. In particular, the lower switching times are achieved by the gateway that connects to an existing group as a LC. This is because the Android API that manages the standard WiFi connection allows to scan and connect to an existing AP faster than the WiFi Direct API, that instead relies on a combination of asynchronous call and event notifications. As a result, when connecting as a GM, the gateway is either able to join the second group in less than 500ms (see the minimum values of cases \*/GM-GO in Figure 3) or, in other cases, the switching process can require even more than 8s. We note that these variable connection times are due to the WiFi Direct protocol that requires, during the group formation process, an initial discovery phase where each device iteratively searches and listens over channels 1, 6 and 11 for nearby clients [5] [7].

When the gateway creates the second group and acts as a GO, instead, the average switching time is around 4s, with lower connection times for the case in which it is connecting to a LC. It is important to notice that when the gateway node acts as a GO for the second group, it cannot send connection requests to the LC. In this case, instead, the LC is constantly scanning for the second group and, as soon as the gateway creates the group, it will connect to the group.

Our results are in line with the experimental evaluations of the WiFi Direct protocol presented in [7] and [8]. For example, [8] showed that the average time required for a device to autonomously create a group and immediately become a GO (autonomous group formation) is 3s, while the average time required for a node to join an existing group is 6s.

Regarding the energy, Figure 4 shows that the energy required to switch between two groups is similar across the different scenarios, with the exception of the cases in which the gateway is required to switch from a LC to a WiFi Direct node, e.g., a GO or a GM. This is due to the fact that the Android WiFi Direct implementation is built on top of the standard WiFi APIs but it requires some additional initialization (i.e, starting the WiFi Direct services) before the device can actually use the WiFi Direct protocol. For the same reason, switching between WiFi Direct roles or from a WiFi Direct role to a LC, instead, does not provide any significant impact on the energy consumption of the node. In addition, we note that even if the energy consumed by the gateway node when switching as a LC is comparable and, in some cases, lower than the energy required by the other scenarios, this energy is consumed in a short amount of time (i.e., around 500ms in Figure 3) and thus the power consumption of this operation is much higher. This is because the LC implements a more aggressive approach for scanning and connecting to an existing group, that causes the higher power consumption when compared to the other methods.

### C. Numerical Results - Simultaneous Connections

We now focus on the gateway node configurations that allow for simultaneous connections in two WiFi Direct groups. In this regard, in Figures 5 and 6 we plot the time and energy, respectively, required to transfer 10 MB of data between the two groups, for the scenarios in which the gateway node acts as a LC in one group and a GM in the other (i.e., scenarios GO-LC/GM-GO and GO-GM/LC-GO). We remind the reader that in these configurations (except for the Time Sharing scenarios that are included for comparison), the gateway node is allowed to maintain a simultaneous physical connection to both groups (see Section III-C). Figures 5 and 6 show that substantial gains in both time and energy can be achieved by the techniques that allow for simultaneous connection in both groups. As expected, the best performances are attained by the non-stock Android implementations, which represent the lower bound on the performance achievable by any scheme. Nevertheless, both the UDP Multicast and the Hybrid approaches perform

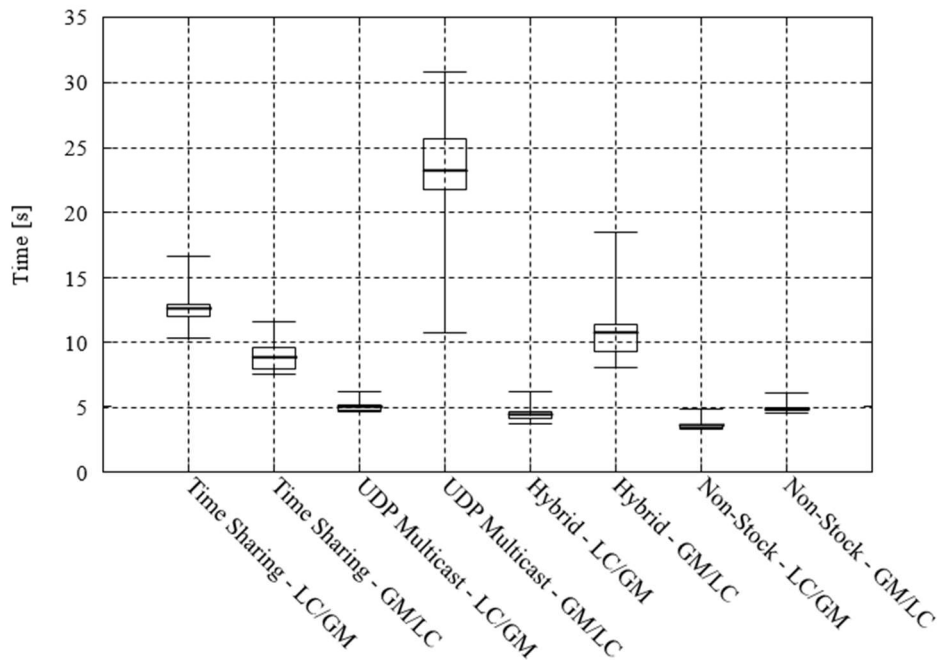


Figure 5. Experimental Measurements. Time required to transfer 10 MB of data between two groups for a gateway node acting as LC and GM.

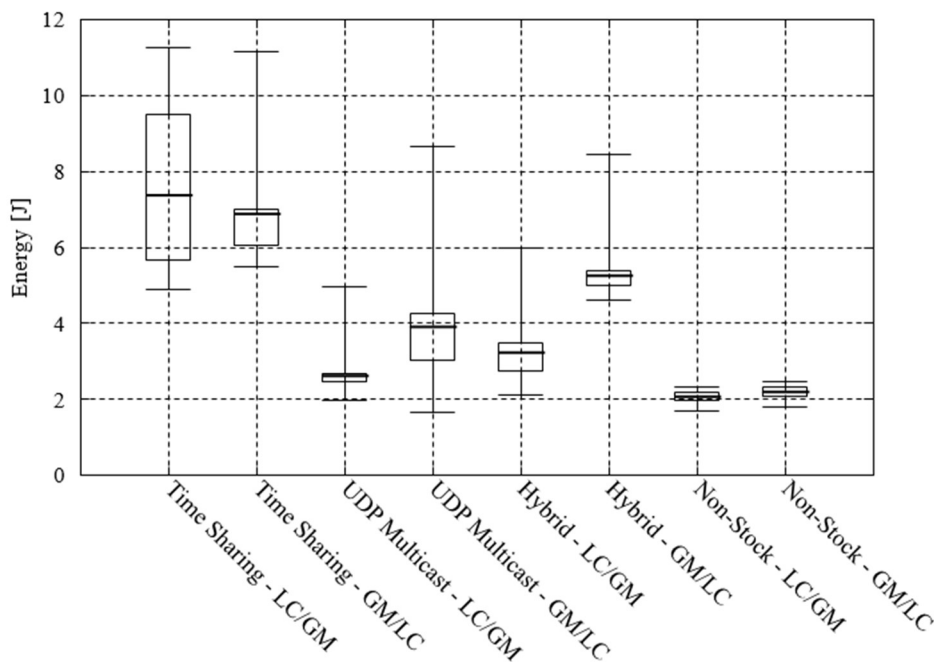


Figure 6. Experimental Measurements. Energy required to transfer 10 MB of data between two groups for a gateway node acting as LC and GM.

very close to the lower bound, with the exception of the GM/LC configuration that requires a higher time and energy consumption. This is due to the encapsulation of a one-to-many unicast communication protocol that impacts the data reception over the WiFi Direct link of the UDP Multicast approach, and to the configuration switch of the Hybrid scheme. Moreover, we note that while the Time Sharing, Hybrid and Non-Stock implementations use TCP sockets for reliable data transmission, the UDP Multicast communication does not implement any retransmission mechanism and, as such, is subject to a variable data loss (in our experiments, an average of 93% of the total data was successfully delivered). Finally, while all the results presented in this section were obtained using a 2013 Nexus 7 [12], similar conclusions can be drawn when changing to a different device. In particular, we ran the tests presented in this section on a 2012 Nexus 7, which has a completely different hardware configuration (e.g. different memory, processor and wireless chipset), with Android 4.4.2 and found similar relative results in term of transmission/reception and switching time, but an overall higher (almost doubled) energy consumption for all schemes. These results suggest that similar conclusions can be drawn for different Android devices.

## V. CONCLUSIONS

In this paper, we propose and explore different methods for allowing the communication among devices that belong to different WiFi Direct groups, in order to create multi-hop ad hoc networks. We present the limitations of enabling WiFi Direct multi-group communication, and we propose and analyze different mechanisms to allow the communications between devices belonging to

different groups. For all the proposed methods, we discuss the achievable tradeoffs in terms of both time and energy.

Our experimental results show that a faster switching time can be achieved by connecting to an existing group as a legacy client, at the expense of a higher power consumption. In addition, switching from standard WiFi to WiFi Direct entails a higher energy consumption, when compared to all the other scenarios. Better performance can be achieved by techniques that exploit the device ability to maintain simultaneous physical connections to two groups. In particular, the Hybrid approach, where a UDP multicast communication is used as a control channel for triggering a configuration switch, allows for a reliable data transfer between groups and attains performance similar to a non-stock Android implementation. Future work includes the inclusion of a routing protocol, and further modifications to Android OS to allow simultaneous communication over multiple WiFi Direct interfaces.

## REFERENCES

- [1] “Android Developers - Wi-Fi Peer-to-Peer.” [Online]. Available: <http://developer.android.com/guide/topics/connectivity/wifip2p.html>
- [2] “iOS Developer Library - Multipeer Connectivity Framework.” [Online]. Available: <https://developer.apple.com/library/ios/>
- [3] “3GPP Release 12.” [Online]. Available: <http://www.3gpp.org/release-12>
- [4] A. Asadi, Q. Wang, and V. Mancuso, “A survey on device-to-device communication in cellular networks,” ArXiv e-prints, Apr. 2014.
- [5] Wi-Fi Alliance, P2P Task Group, “Wi-Fi Peer-to-Peer (P2P) Technical Specification, Version 1.2,” Dec. 2011.
- [6] D. Camps-Mur, X. Pe´rez-Costa, and S. Sallent-Ribes, “Designing energy efficient access points with Wi-Fi Direct,” *Comput. Netw.*, vol. 55, no. 13, pp. 2838–2855, Sept. 2011.
- [7] D. Camps-Mur, A. Garcia-Saavedra, and P. Serrano, “Device-to-device communications with Wi-Fi Direct: overview and experimentation,” *IEEE Wireless Commun.*, vol. 20, no. 3, pp. 96–104, June 2013.
- [8] M. Conti, F. Delmastro, G. Minutiello, and R. Paris, “Experimenting opportunistic networks with WiFi Direct,” in *Wireless Days (WD)*, Valencia, Spain, Nov. 2013.
- [9] C. Casetti, C. F. Chiasserini, L. Curto Pelle, C. Del Valle, Y. Duan, and P. Giaccone, “Content-centric routing in Wi-Fi Direct multi-group networks,” ArXiv e-prints, Dec. 2014.
- [10] “Android API Guides.” [Online]. Available: <https://developer.android.com/guide/index.html>
- [11] “RFC1122, Requirements for Internet Hosts – Communication Layers.” [Online]. Available: <http://tools.ietf.org/html/rfc1122>
- [12] “Asus Nexus 7 (2013).” [Online]. Available: <http://www.asus.com/Tablets Mobile/Nexus 7 2013/>

- [13] R. Friedman, A. Kogan, and Y. Krivolapov, "On power and throughput tradeoffs of WiFi and Bluetooth in smartphones," *IEEE Trans. Mobile Comput.*, vol. 12, no. 7, pp. 1363–1376, July 2013.
- [14] "Arduino uno." [Online]. Available: <http://arduino.cc>
- [15] D. Rakhmatov and S. Vruthula, "Energy management for battery- powered embedded systems," *ACM Trans. Embed. Comput. Syst.*, vol. 2, no. 3, pp. 277–324, Aug. 2003.
- [16] M. Coleman, C. K. Lee, C. Zhu, and W. Hurley, "State-of-charge determination from EMF voltage estimation: Using impedance, terminal voltage, and current for lead-acid and lithium-ion batteries," *IEEE Trans. Ind. Electron.*, vol. 54, no. 5, pp. 2550–2557, Oct 2007.
- [17] "Iperf." [Online]. Available: <https://iperf.fr>